

# HEATED SEAT

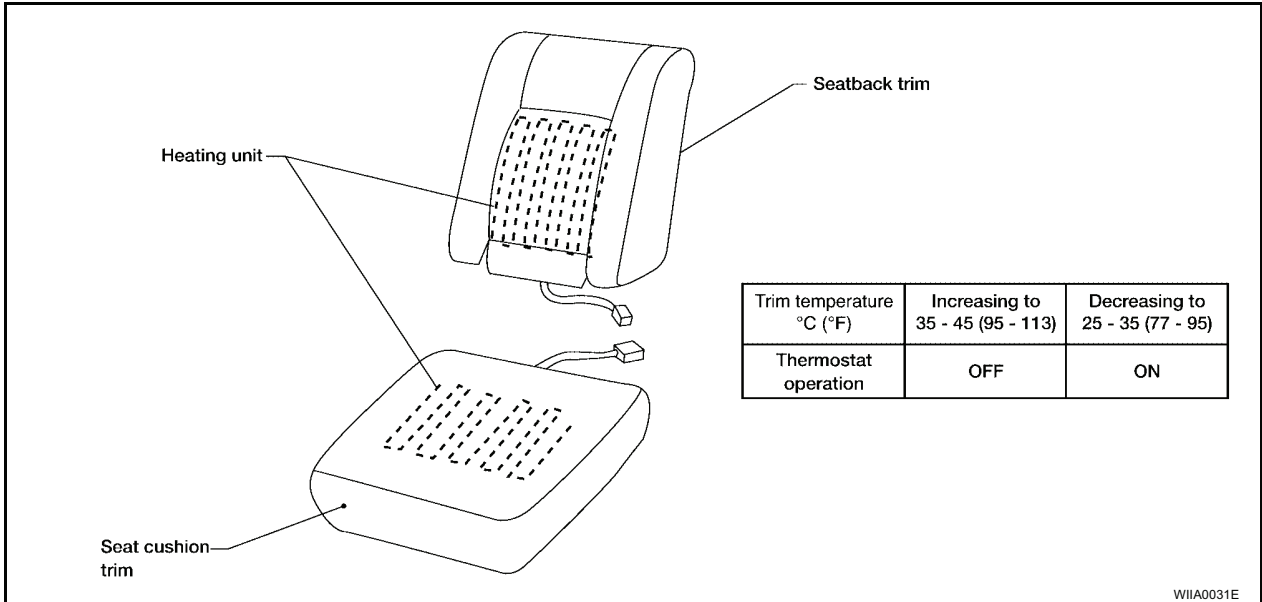
## HEATED SEAT

PPF:87335

### Description

EIS002NI

- When handling seat, be extremely careful not to scratch heating unit.
- To replace heating unit, seat trim and pad should be separated.
- Do not use any organic solvent, such as thinner, benzene, alcohol, etc. to clean trim.



A

B

C

D

E

F

G

H

SE

J

K

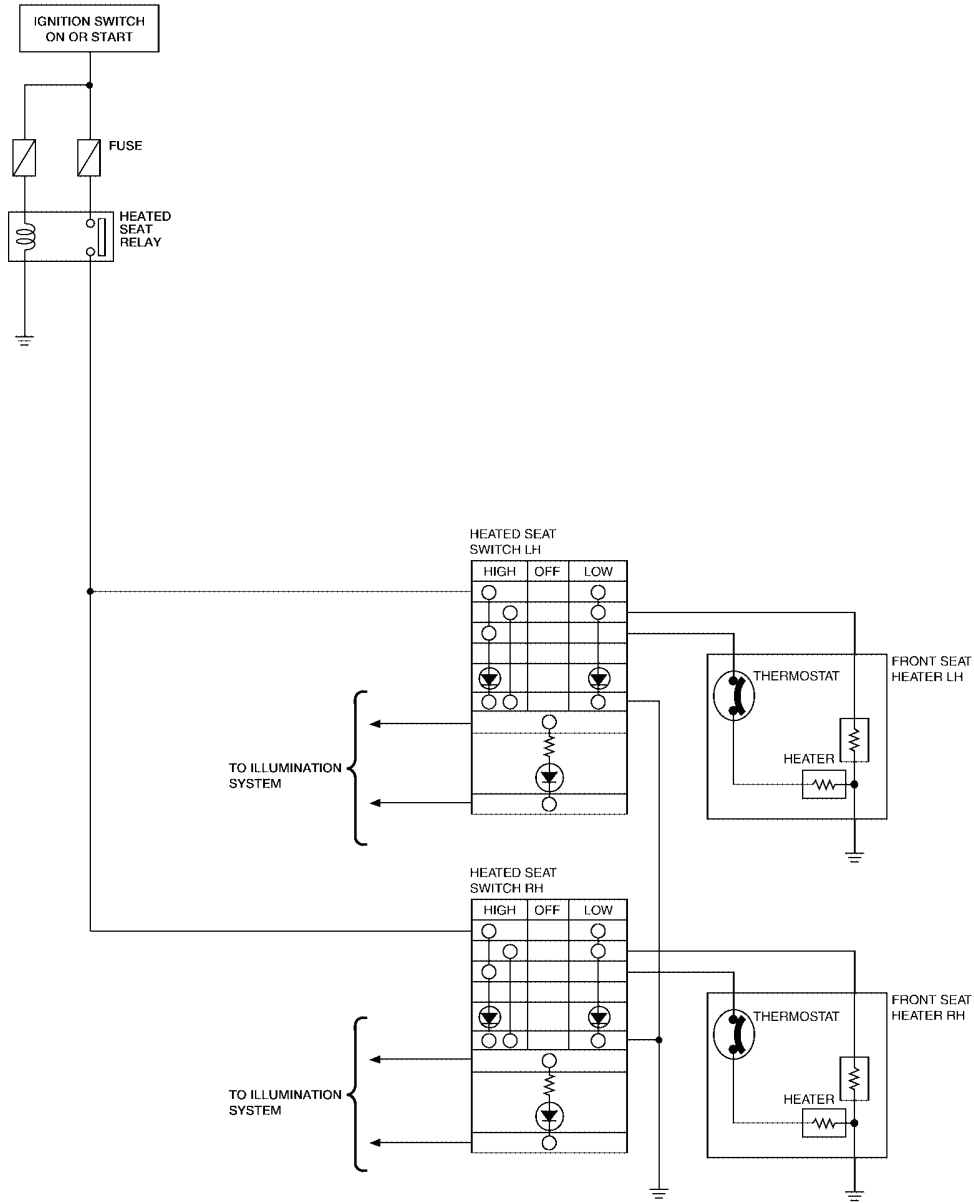
L

M

# HEATED SEAT

## Schematic

EIS002NJ



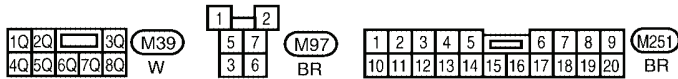
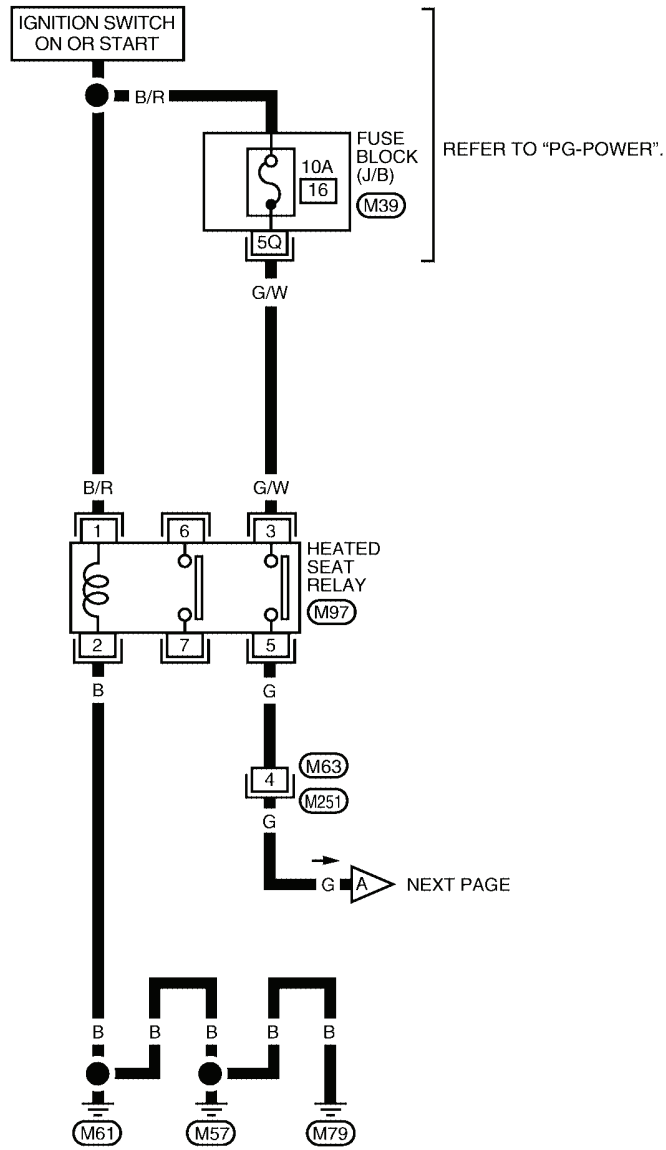
L1WA0217E

# HEATED SEAT

## Wiring Diagram-HSEAT-

EIS002NK

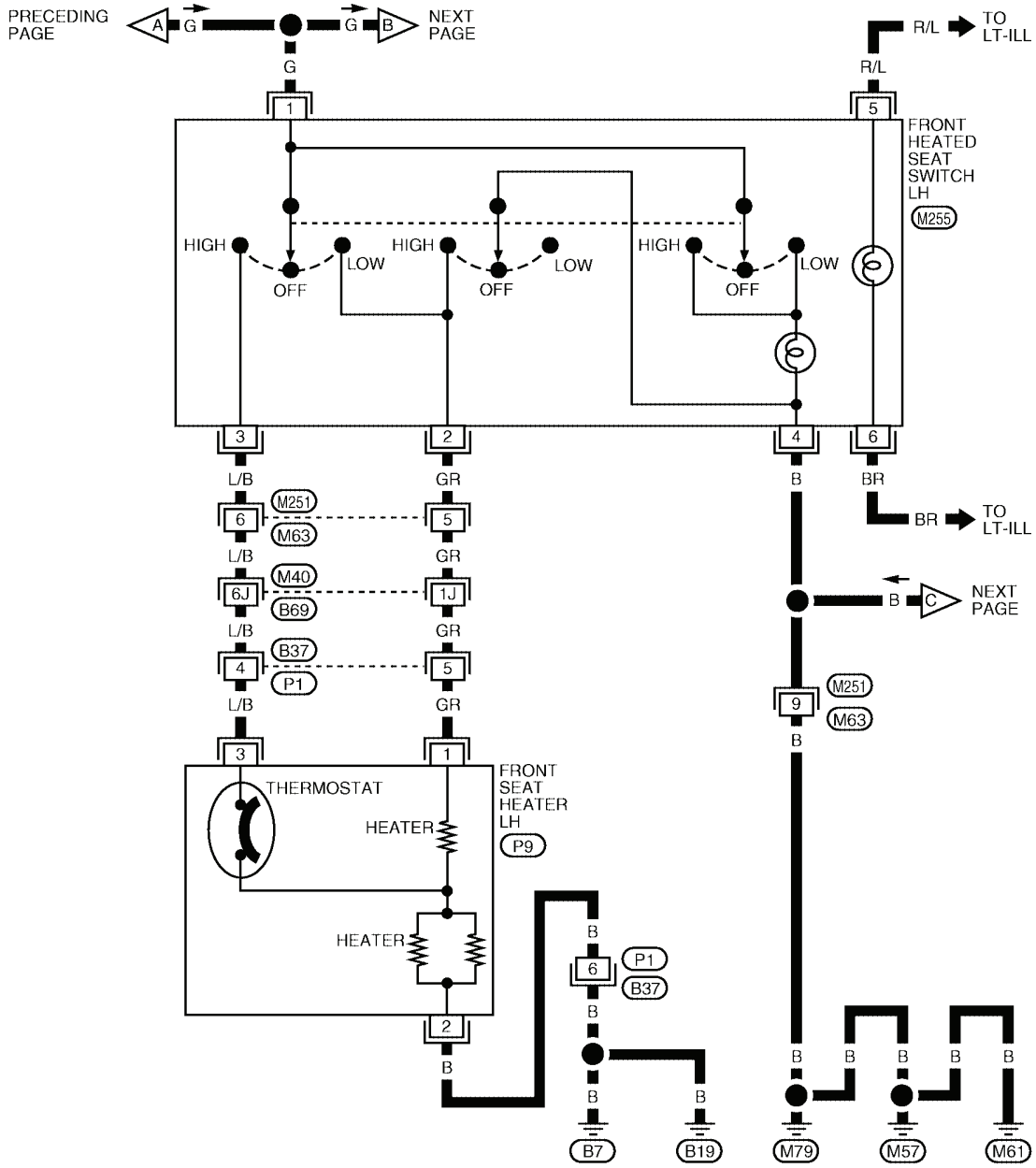
### SE-HSEAT-01



WIWA0257E

# HEATED SEAT

SE-HSEAT-02



1	2	3	4	5	6	7	8	9	M251
10	11	12	13	14	15	16	17	18	BR

6	5	M255
3	1	BR

1	2	3	4	5	6	7	B37
8	9	10	11	12	13	14	W

1	P9	*
2	3	W

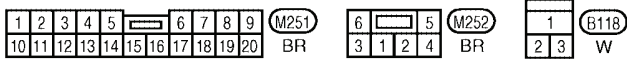
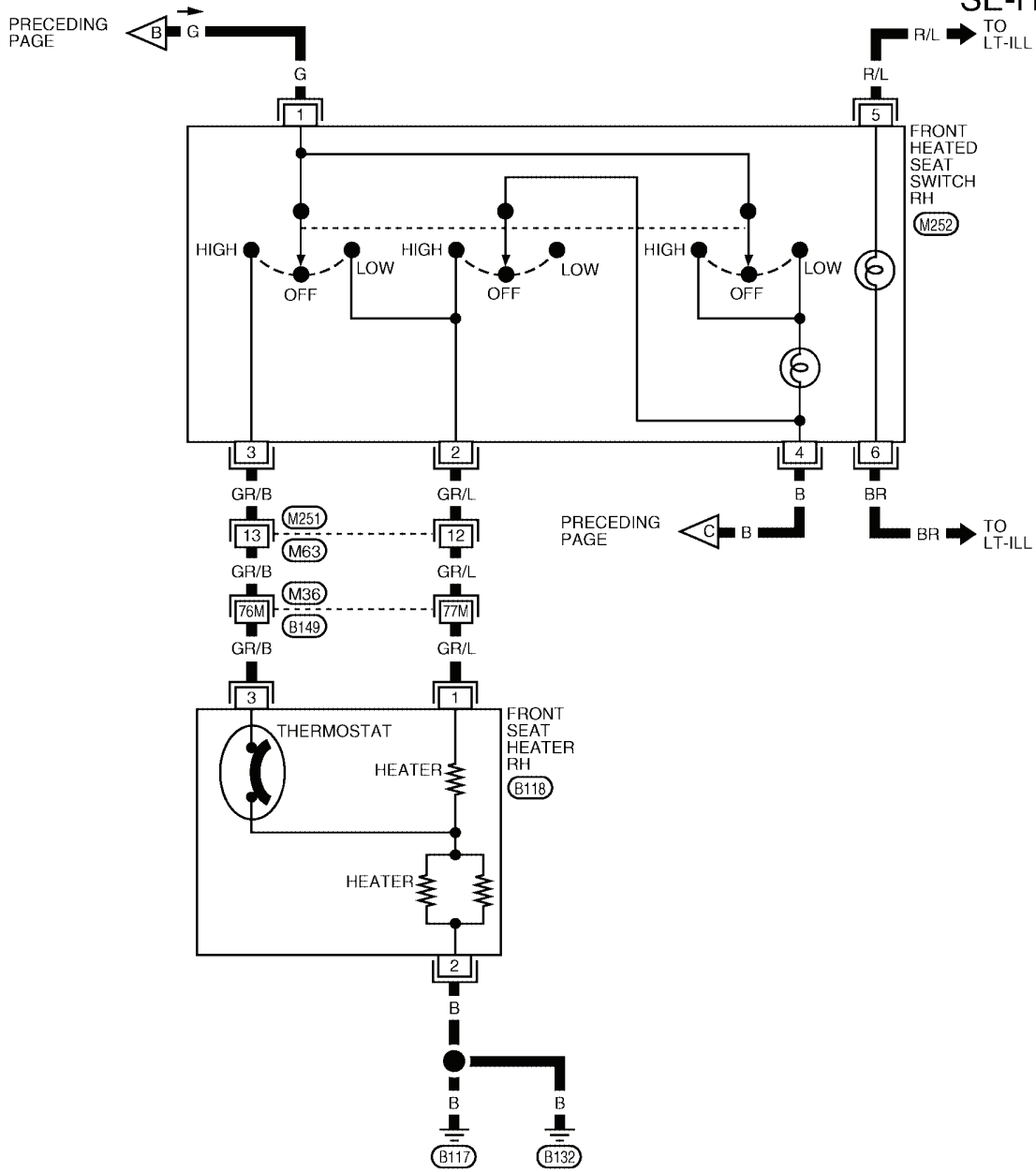
REFER TO THE FOLLOWING.  
(M40) - SUPER MULTIPLE JUNCTION (SMJ)

\* : THIS CONNECTOR IS NOT SHOWN IN "HARNESS LAYOUT" OF PG SECTION.

WIIWA0231E

# HEATED SEAT

SE-HSEAT-03



REFER TO THE FOLLOWING.  
 (M36) - SUPER MULTIPLE  
 JUNCTION (SMJ)

A  
B  
C  
D  
E  
F  
G  
H  
SE  
J  
K  
L  
M