



# SERVICE BULLETIN

AMClassification: BT04-055	Reference: NTB05-016	Date: February 24, 2005
-------------------------------	-------------------------	----------------------------

## SUNROOF SUNSHADE FABRIC WORN/RIPPED

**APPLIED VEHICLE:** 2004 Titan (A60) – Crew Cab ONLY  
2004 Armada (TA60)

**APPLIED VIN:** **Titan:** Vehicles built before: 1N6AA07A\*4N515977  
**Armada:** Vehicles built before: 5N1AA08A\*4N720566

**APPLIED DATE:** Vehicles built before: January 23, 2004

**IF YOU CONFIRM:**

An applied vehicle has a Sunroof Sunshade with worn or ripped fabric in the area shown in Figure 1 (below).

**ACTION:**

- Replace the Sunroof Sunshade without removing the Headliner or Sunroof Track Assembly.
- See the Service Procedure for details.

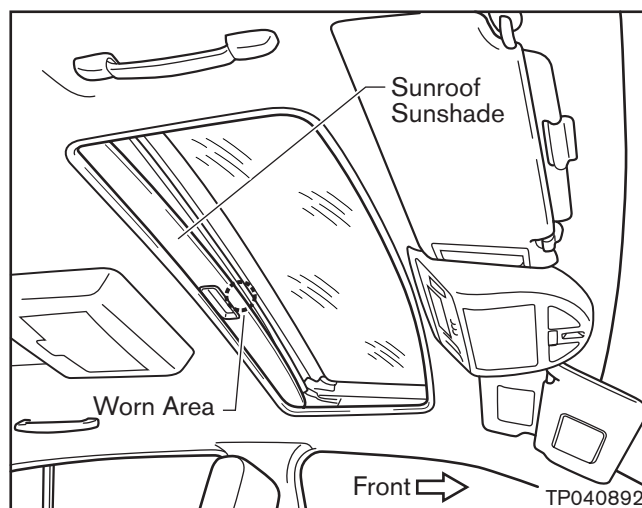


Figure 1

**PARTS INFORMATION**

DESCRIPTION	PART NUMBER	QUANTITY
Sunroof Sunshade	91250-7S010	1

**CLAIMS INFORMATION**

Submit a Primary Failed Part (PP) line claim using the following claims coding:

DESCRIPTION	PFP	OP CODE	SYM	DIA	FRT
RPL Sunroof Sunshade	(1)	BX39AA	ZA	26	1.1 hrs

(1) Reference the Parts Information Table and use the applicable Sunroof Sunshade P/N as the PFP.

## SERVICE PROCEDURE

### CAUTION:

- Use suitable covers to protect upholstery, carpet, trim, paint, the new sunshade, etc. when performing this procedure.
- Make sure your hands are clean when working inside the vehicle and while handling the interior parts.

Replace the Sunroof Sunshade (without removing the Headliner or Sunroof Track Assembly) as follows:

1. Remove the Sunroof Glass as follows:

- a. Open the Sunroof Sunshade.
- b. Use a Plastic Pry Tool (such as from Trim Tool Set #J-46534) to remove the two Plastic Side Finishers (one on each side of the glass). See Figure 2.

### NOTES:

- Trim Tool Set #J-46534 is an essential tool and can be found in drawer #4 of the STSS.
- Additional tools can be ordered from TECH-MATE at 1-800-662-2001.

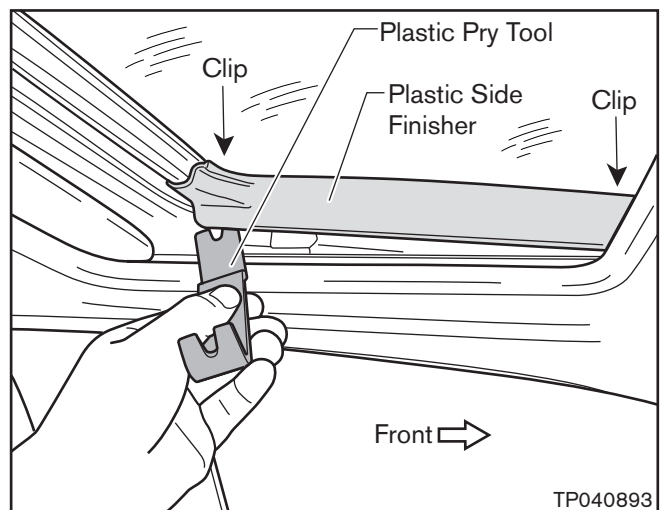


Figure 2

- c. Remove the four Sunroof Glass Mounting Bolts (two on each side of the glass). See Figure 3.

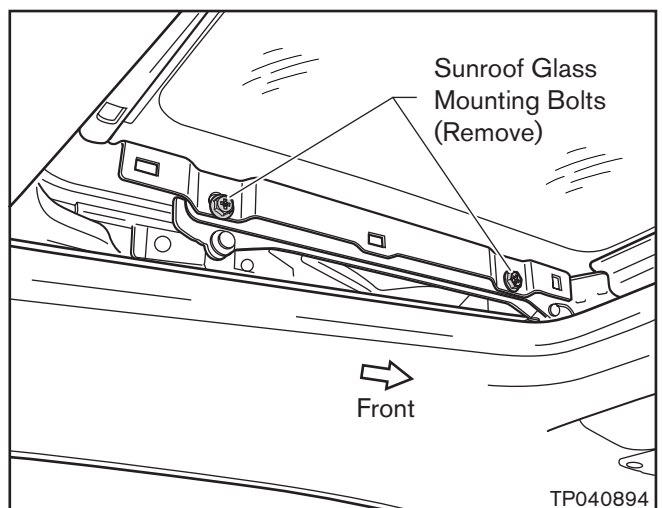


Figure 3

d. From the outside of the vehicle, carefully remove (lift UP) the Sunroof Glass (see Figure 4).

- Place the Sunroof Glass in a clean, safe location.

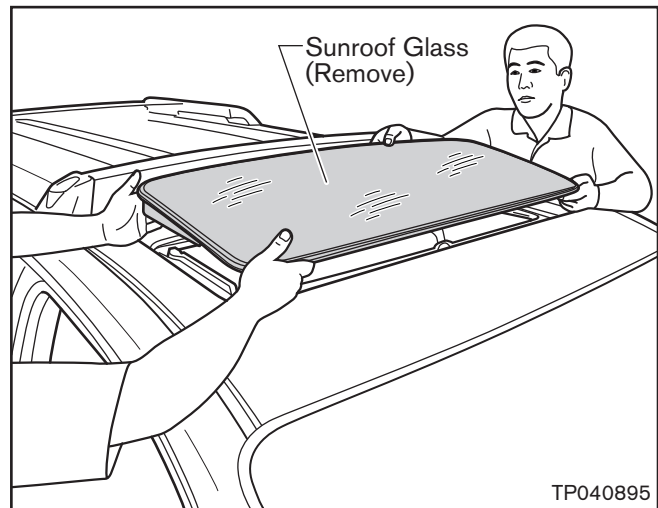


Figure 4

2. Remove the two Sunshade Stoppers (one on each side of the sunroof opening). See Figure 5.

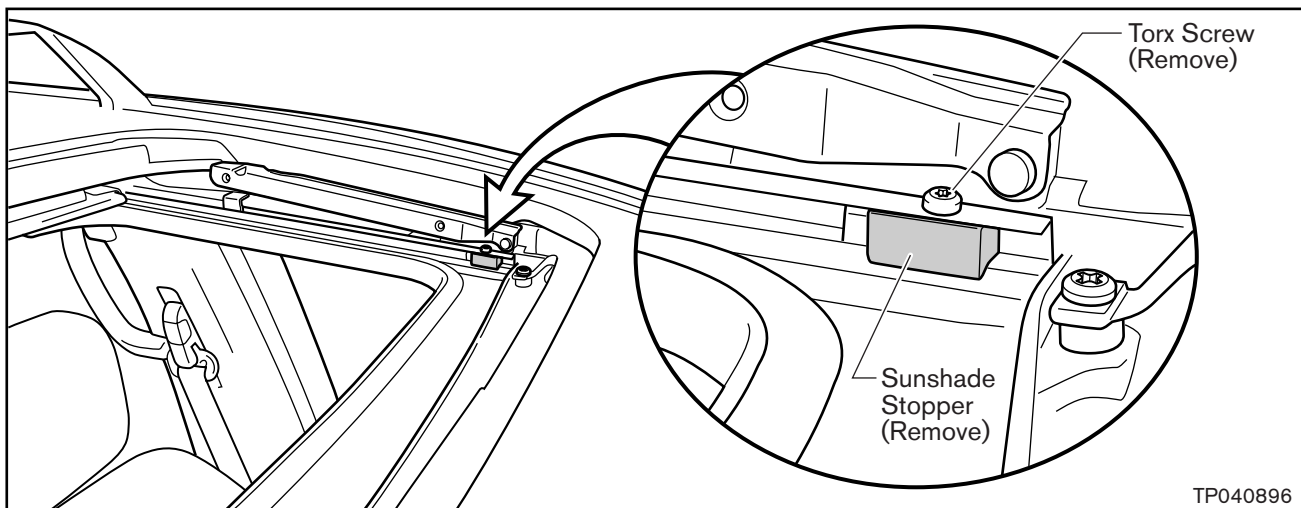


Figure 5

3. Use a Plastic Pry Tool and Pliers to carefully disconnect the Sunroof Drip Tray from each side of the Sunroof Open/Close/Tilt Mechanism (see Figure 6).
  - **Do not allow the Drip Tray to slide back into the headliner.**

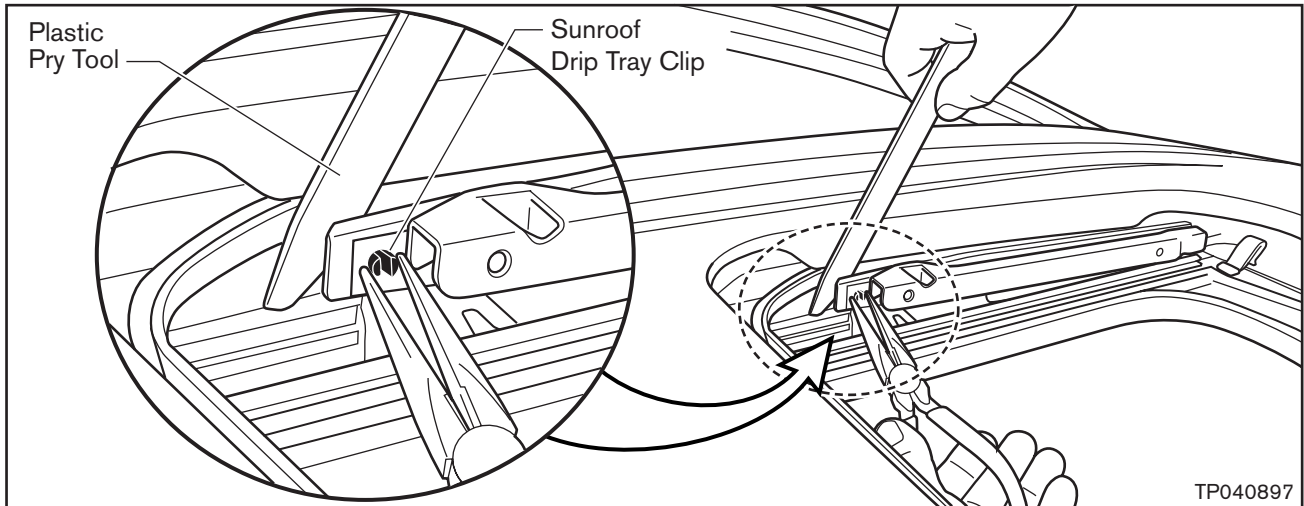


Figure 6

4. Remove the Sunshade as follows:
  - a. First, pull the Sunshade forward until it stops against the front edge of the Sunroof opening (see Figure 7).
  - b. Then, push UP in the center of the Sunshade while pulling forward until the front edge of the Sunshade comes out of the Sunroof opening (see Figure 7).
  - c. Finally, lift the Drip Tray over the rear vertical lip of the Sunshade and pull the Sunshade the rest of the way out of the Sunroof opening (see Figure 7).
  - d. Discard the old Sunshade.

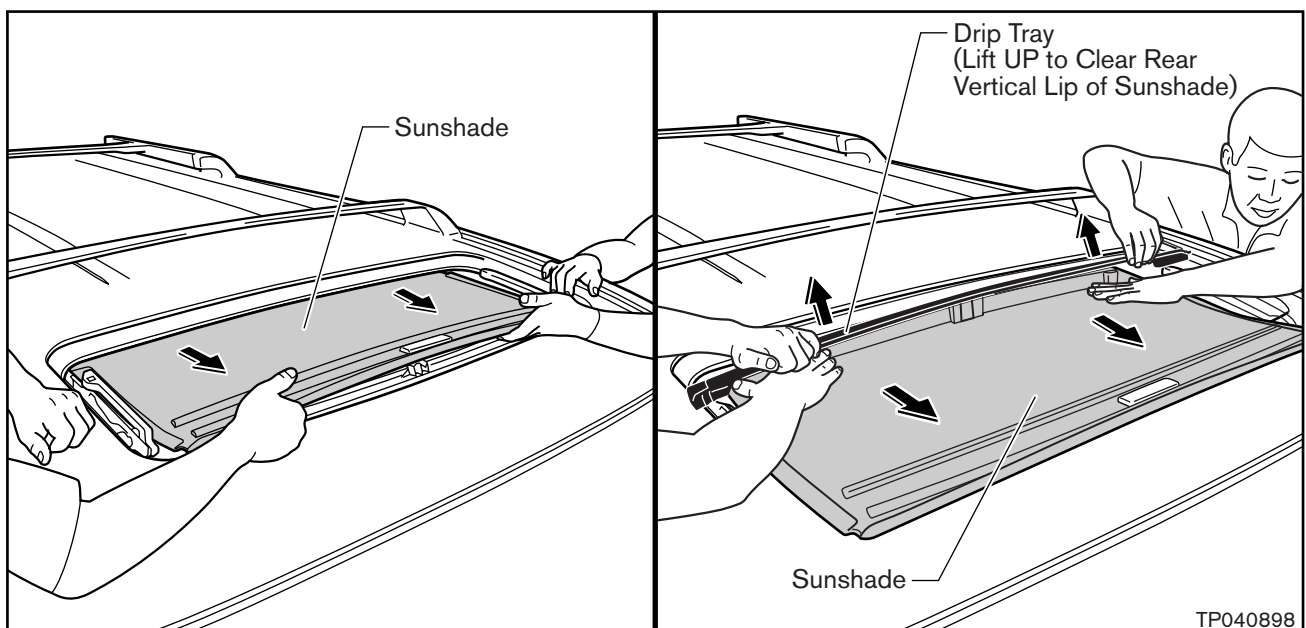


Figure 7

5. Cut the new Sunshade as follows:

**NOTE:**

- Cutting the new Sunshade allows for easier installation.
- To help keep the new Sunshade clean during installation, cover the interior cloth with paper/masking tape.

a. Apply masking tape to the Sunshade Rear Vertical Lip (see Figure 8).

- The masking tape will protect the cloth lining during the cutting process (next step).

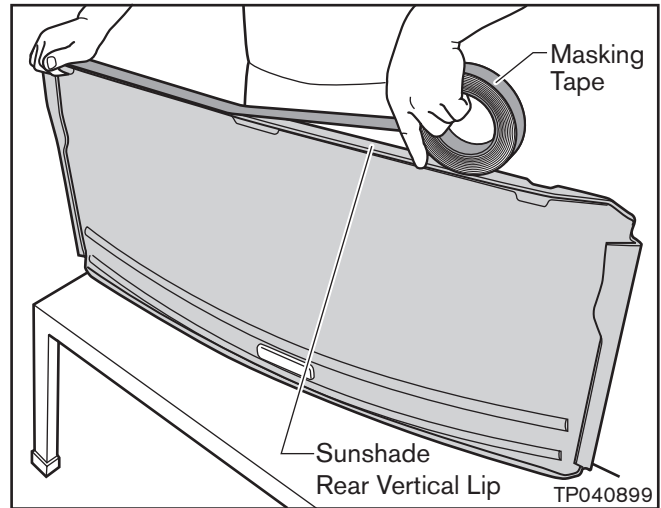


Figure 8

b. Use a Hack-saw (or other suitable cutting device), to remove 10 mm of material from the Rear Vertical Lip of the Sunshade (see Figure 9).

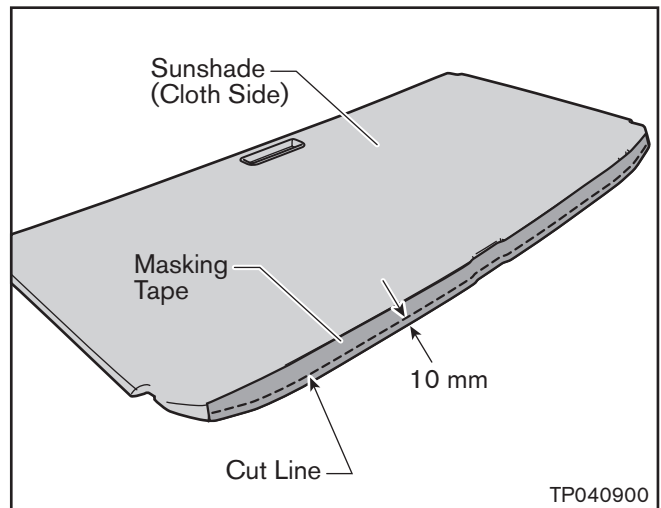


Figure 9

6. Install the new Sunshade into the Sunshade Track in the reverse order you removed the old one, making sure you lift the Drip Tray over the rear vertical lip of the Sunshade (see Figure 10).

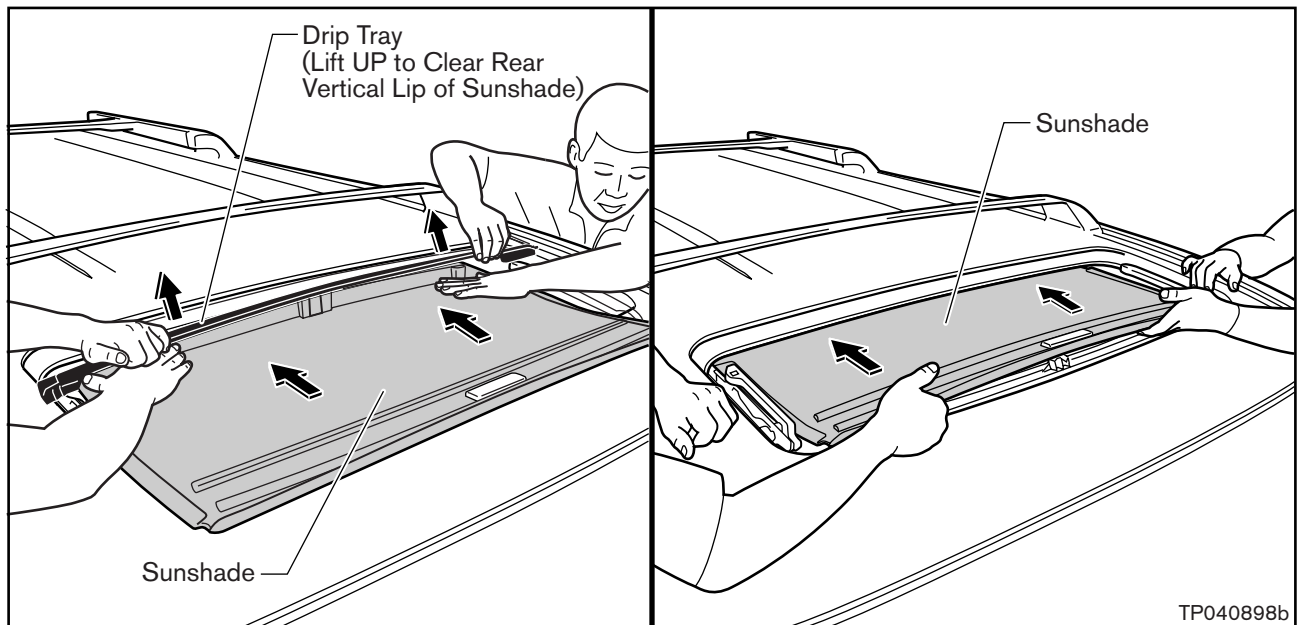


Figure 10

7. Reconnect the Sunroof Drip Tray to each side of the Sunroof Open/Close/Tilt Mechanism.

8. If the vehicle does not have one, install a piece of Felt Tape to the Sunshade Stopper (see Figure 11).

- This will help prevent the new Sunshade from getting damaged.
- Cut the Felt Tape to about ½" wide by 1 ¾" long.
- Obtain the Felt Tape from a local source or you can contact:

**Create For Less**

[www.createforless.com/products/productDetail.asp?ProductID=20755](http://www.createforless.com/products/productDetail.asp?ProductID=20755)

CreateForLess P/N: 11724997  
 UPC Number: 028981092043  
 Manufacturer Style: K450937SOIA

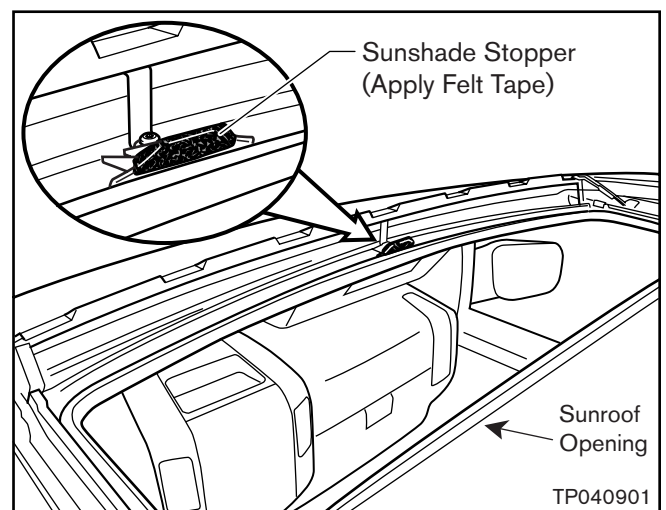


Figure 11

9. Re-install the Sunshade Stoppers, Sunroof Glass, and all other previously removed components in the reverse order of removal.

10. Operate the Sunroof, making sure:

- The Sunroof Glass, when closed, is flush (even) with the surrounding roof panel.
- The Sunroof properly operates (opens, closes, tilts) without binding.