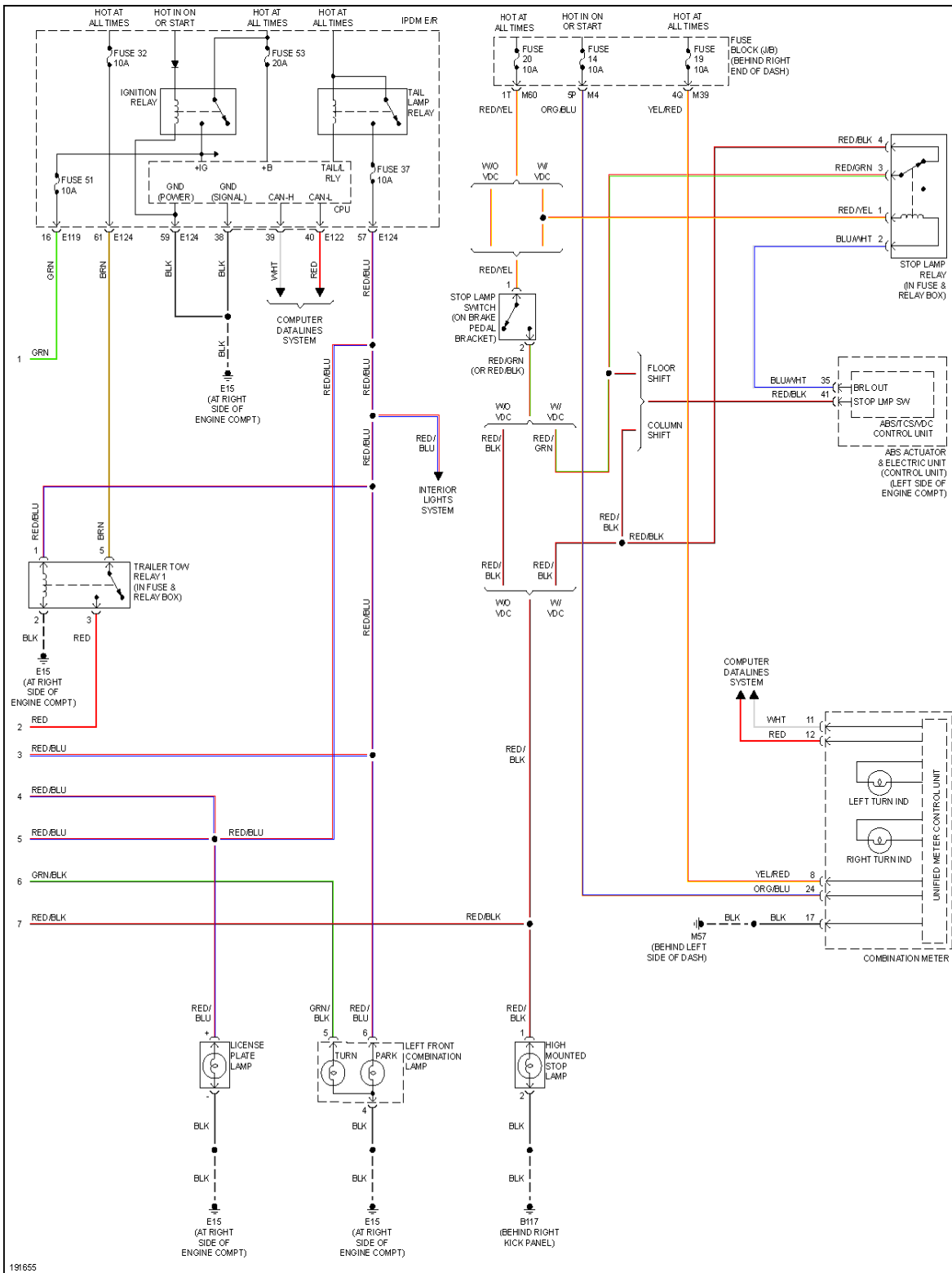


2004 Nissan Titan SE-Fig. 22: Exterior Lamps & Trailer connector Circuit (2 of 2)



© 2008 Mitchell Repair Information Co., LLC.